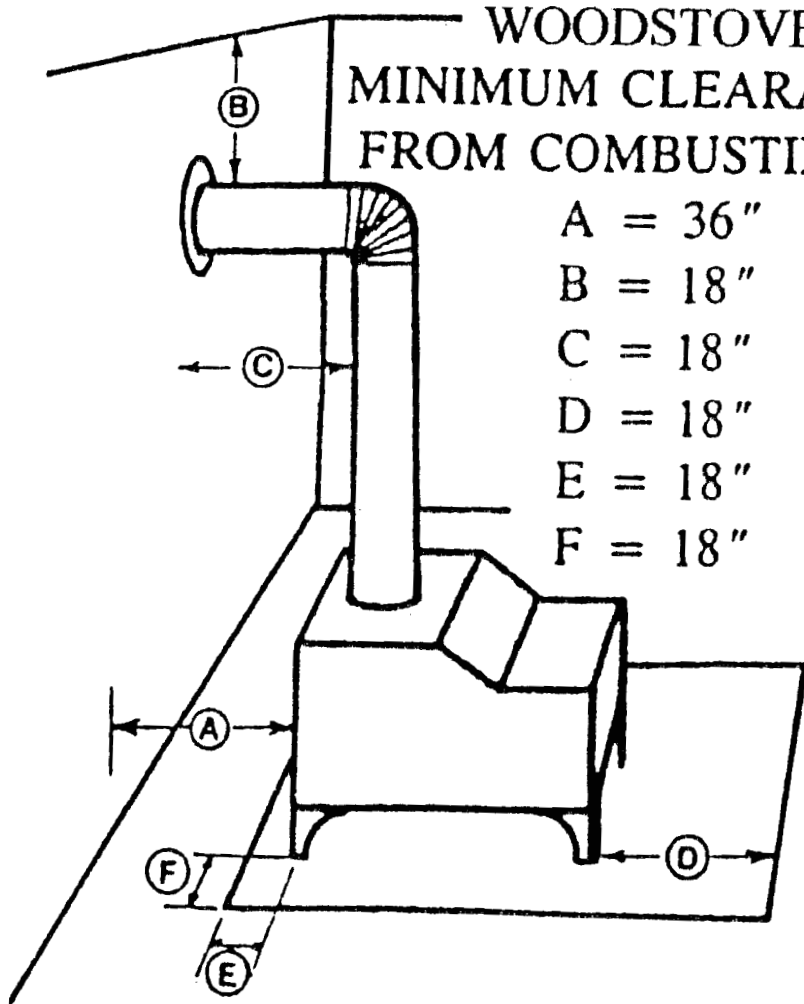


WOODSTOVE
MINIMUM CLEARANCE
FROM COMBUSTIBLES



- A = 36"
- B = 18"
- C = 18"
- D = 18"
- E = 18"
- F = 18"